



**PARTS SALES**

*Your Make. Your Model. Your Part.™*

# Landing Gear & Accessories Catalog

**Broad Assortment • In-Stock • Ready-To-Ship**



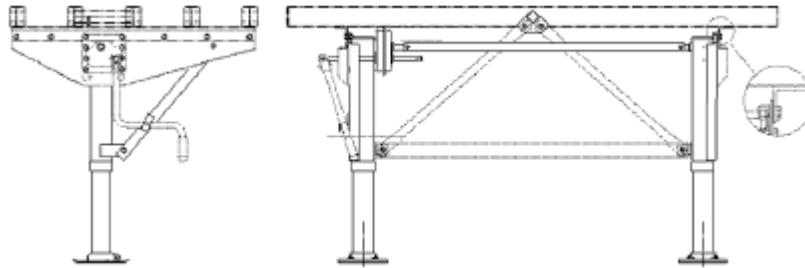




PARTS SALES

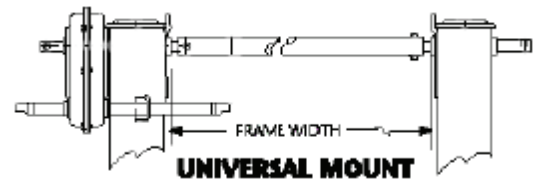
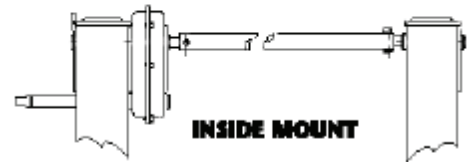
Your Make. Your Model. Your Part.™

## LANDING GEAR



### Mounting Types

- **Inside mount** – Gear box is mounted on the inside of the mounting bracket (landing gear wing)
- **Outside mount** – Gear Box is mounted on the outside of the mounting bracket (landing gear wing).
- **Universal mount** – Both legs can be mounted so that the shaft can relate to the leg inside or outside the mounting bracket (landing gear wing).

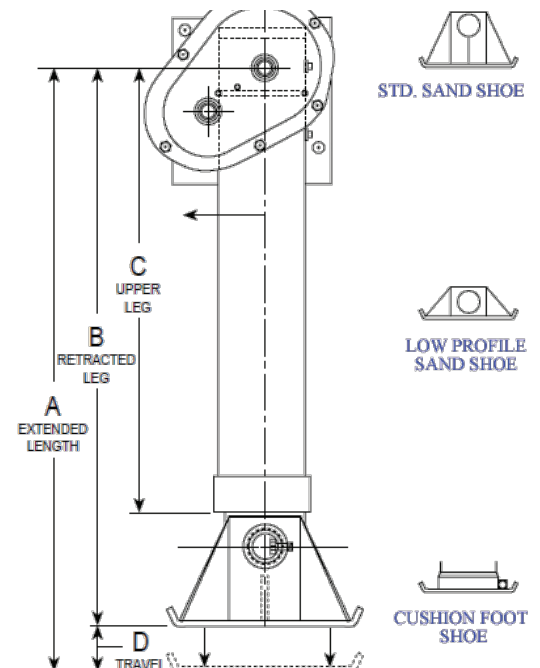


### Shoe Types

- **Sandshoes** – Also known as Standard, Tall or High-Profile and Low-Profile.
- **Cushion Foot** - Round or Square and in various sizes; 10inX10in is common.

The **travel** of a landing gear leg is the distance between the leg at full extension and the leg at full retraction. The difference between 'A' and 'B' in the diagram.

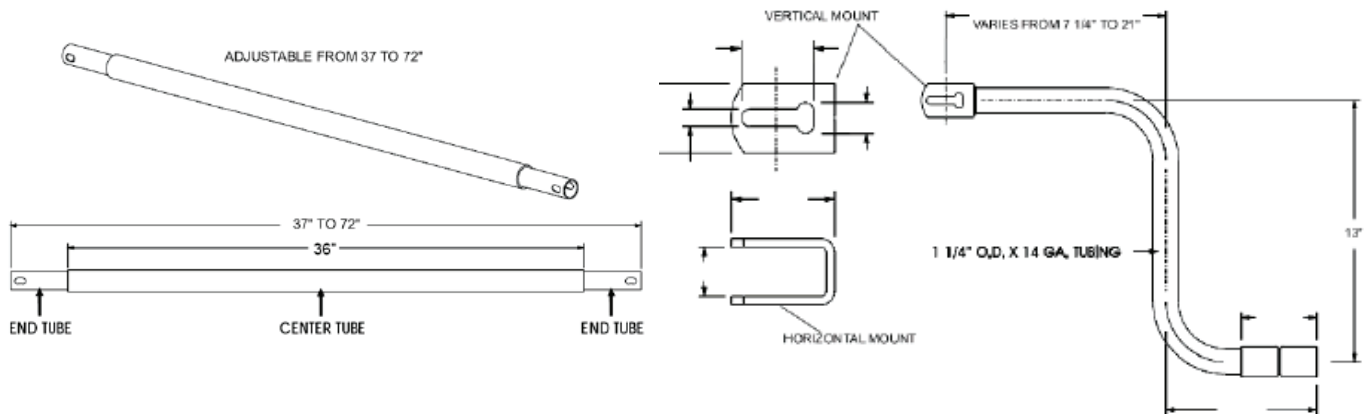
The **gear-side leg** is the leg that is located on the roadside of the trailer and is cranked up and down. The **non-gear side leg** is located on the curbside of the trailer and follows the action of the gear-side leg.



## Common Industry Terms Prop legs, Support legs, Dolly legs, Gear-side (Drive leg), Non-Gear Side (Slave leg)

### Components

- **Crank handle** - connects to the gearside leg and is what the driver turns to move the legs up and down. There are two primary styles of crank handles. There is horizontal mount and vertical mount (see diagram).
- **Cross Shaft** - connects to the output shaft on the gearside leg to the input shaft on the non-gear leg, in two styles, fixed and adjustable.



### Landing Gear Legs & Hardware

Item # PRO-CL22TAS (High-Profile)



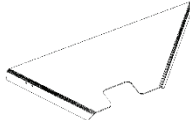
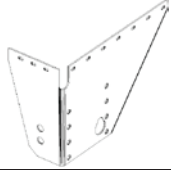
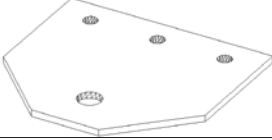
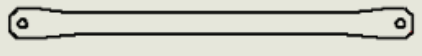
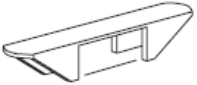
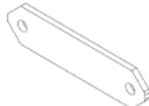

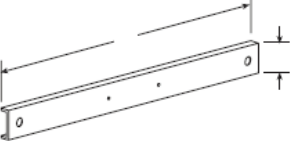



Item # PRO-CL22TAS-LP (Low-Profile)


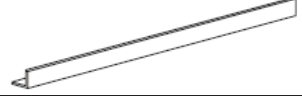

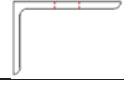
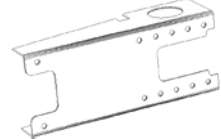
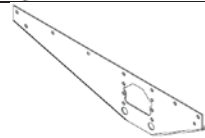

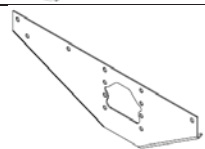
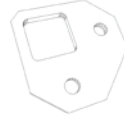

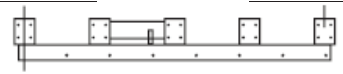
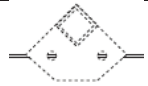
- Universal Mount
- 12 kits/pallet
- 3-year warranty
- Static Load Capacity - 132,277 lb.
- Lifting Capacity - 48,501.7 lb.
- Side Load Capacity - 24,250.8 lb.
- Travel Max - 16.92913 in.
- Crank Force - 35.274 lb.

# PRO-SELECT™



SOLD IN  
PALLET  
QUANTITIES  
ONLY

01-04012-100-00	LANDING GEAR, MOUNTING BRACKET, 50in RDSD	
01-04012-200-00	LANDING GEAR, MOUNTING BRACKET, 50in CBSD	
01-08875-000-00	LANDING GEAR, MOUNTING BRACKET, 50in	
01-09945-000-00	LANDING GEAR, MOUNTING BRACKET, 50in	
01-09945-000-0G	LANDING GEAR, MOUNTING BRACKET, 50in, GALV	
01-15617-100-00	LANDING GEAR, MOUNTING BRACKET, 15.5x40.31in, RDSD	
01-15617-200-00	LANDING GEAR, MOUNTING BRACKET, 15.5x60.31in, CBSD	
01-24222-100-00	LANDING GEAR, MOUNTING BRACKET, 14.12x29.75in, RDSD	
01-24274-000-00	LANDING GEAR, MOUNTING PLATE, 5.5x6in	
01-05425-038-00	LANDING GEAR, BRACE, 41in, BARE	
01-05425-038-0G	LANDING GEAR, BRACE, 41in, GALV	
01-05425-039-00	LANDING GEAR, BRACE, 38.75in, BARE	
01-05425-052-00	LANDING GEAR, BRACE, 43.88in, BARE	
01-10246-000-00	LANDING GEAR, BRACE EAR, 6.9x10.5in	
01-08913-000-00	LANDING GEAR, BRACE EAR, SQUARE, 10.5in	
01-11007-000-00	LANDING GEAR, BRACE EAR, 6.62x10.5in	
01-19370-000-00	LANDING GEAR, BRACE EAR, 10.5in	
01-08112-001-00	LANDING GEAR, BRACE TUBE, 11.88in	
01-06650-001-00	LANDING GEAR, BRACE, 64in	
01-07455-003-00	STIFFENER, LEG, 14.56in	
01-17322-000-00	CRANK HANDLE HOLDER	
01-08112-002-00	BRACE PLATE, LG, 4.5in	

01-09943-005-00	LANDING GEAR, SIDE BRACKET, 30in	
01-09943-009-00	LANDING GEAR, SIDE BRACKET, 31.38in	
01-09943-009-0G	LANDING GEAR, SIDE BRACKET, 31.38IN GALV	
01-10857-000-00	LANDING GEAR, BRACKET, 50in	
01-17076-000-00	LANDING GEAR, BRACKET, 23.19x25.75in	
01-19662-001-00	LANDING GEAR, SIDE BRACKET, 28.75in	
01-22128-000-00	LANDING GEAR, BRACKET, 23.5x25.75in	
01-25251-100-00	LANDING GEAR, BRACKET, 11.25x50in, RDSD	
01-25251-200-00	LANDING GEAR, BRACKET, 11.25x50in, CBSD	
01-26574-100-00	LANDING GEAR, BRACKET, RDSD	
01-26574-200-00	LANDING GEAR, BRACKET, CBSD	
01-27925-100-00	LANDING GEAR, BRACKET, 11.25x38in	
01-27925-200-00	LANDING GEAR, BRACKET, 11.25x38in	
01-28094-000-00	LANDING GEAR, BRACE PLATE, 5x5in	
04-80272-001-01	CROSS SHAFT, 76in FW	
15-03353-001-01	LANDING GEAR, SUBFRAME ASSY, AVW	
15-03394-001-00	BRACE EAR ASSEMBLY	

### PROPRIETARY LANDING GEAR

Item	Description
04-80307-001-00	LANDING GEAR, LEG, GEARSIDE, ATLAS 55, 10x10in
04-80307-002-00	LANDING GEAR, LEG, NONGEAR, ATLAS 55, 10x10
04-80307-003-00	LANDING GEAR, LEG, GEARSIDE, ATLAS 55 10x10in
04-80307-004-00	LANDING GEAR, LEG, NONGEAR, ATLAS 55 10x10
04-80307-011-00	LANDING GEAR, LEG, GEARSIDE, ATLAS 55 10x10in
04-80307-012-00	LANDING GEAR, LEG, NONGEAR, ATLAS 55 10x10
KWCMS-2-33-317-G	LANDING GEAR, LEG, GEARSIDE, KW742955
KWCMS-2-33-317NG	LANDING GEAR, LEG, NON-GEAR, KW742956

## A400 Series Landing Gear

### Design Features



- Internal gearbox protects gears and prevents shaft misalignment.
- Cover and bushings sealed to keep moisture out.
- Double "D" style shaft allows crank force to go directly into the gearbox, not torquing the bolt.
- 10 bolt mounting pattern adds mounting rigidity.
- Reinforcing strap at the bottom of the upper housing for added strength.
- Austempered ductile iron gears will not wear out.

JIA400L-G-17	LANDING GEAR, LEG NON-GEAR
JIA400L-G-19	LANDING GEAR, LEG, NON-GEAR
JIA400L-G3-17	LANDING GEAR, LEG, NON-GEAR
JIA400L-G3-19	LANDING GEAR, LEG, NON-GEAR
JIA400L-T1-17	LANDING GEAR, LEG, NON-GEAR
JIA400L-T1-19	LANDING GEAR, LEG, NON-GEAR
JIA400L-T-17	LANDING GEAR, LEG, NON-GEAR
JIA400L-T-19	LANDING GEAR, LEG, NON-GEAR
JIA400R-G-17	LANDING GEAR, LEG, GEARSIDE
JIA400R-G-19	LANDING GEAR, LEG, GEARSIDE
JIA400R-G3-17	LANDING GEAR, LEG, GEARSIDE
JIA400R-G3-19	LANDING GEAR, LEG, GEARSIDE
JIA400R-T1-17	LANDING GEAR, LEG, GEARSIDE
JIA400R-T-17	LANDING GEAR, LEG, GEARSIDE
JIA400R-T-19	LANDING GEAR, LEG, GEARSIDE
JIA400UL-G3-17	LANDING GEAR, LEG, NON-GEAR
JIA400UR-G3-17	LANDING GEAR, LEG, GEARSIDE

### Capacities & Ratings

Maximum Static Load Rating\*  
160,000 lbs

Rated Lift Capacity\*\*:  
55,000

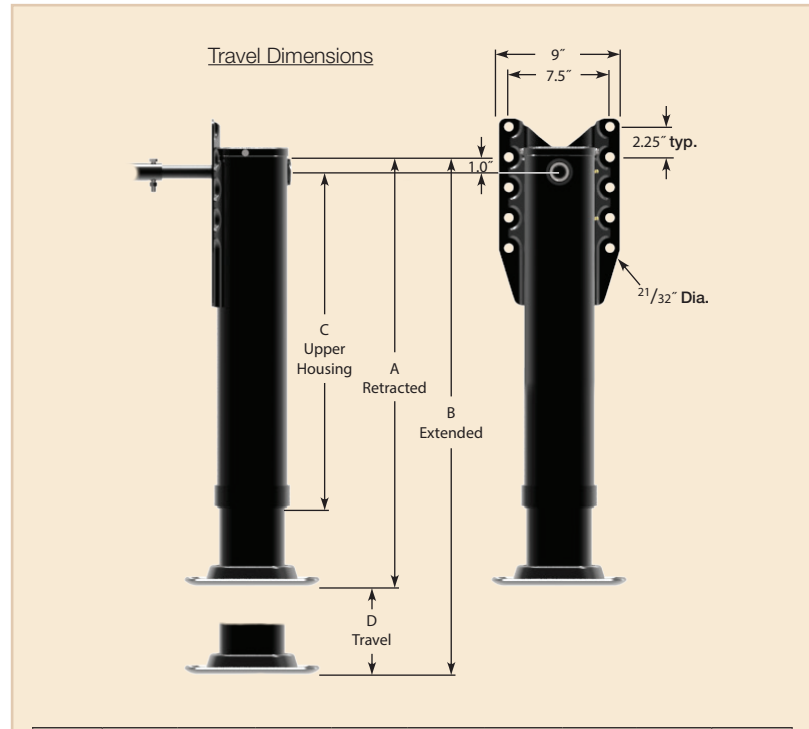
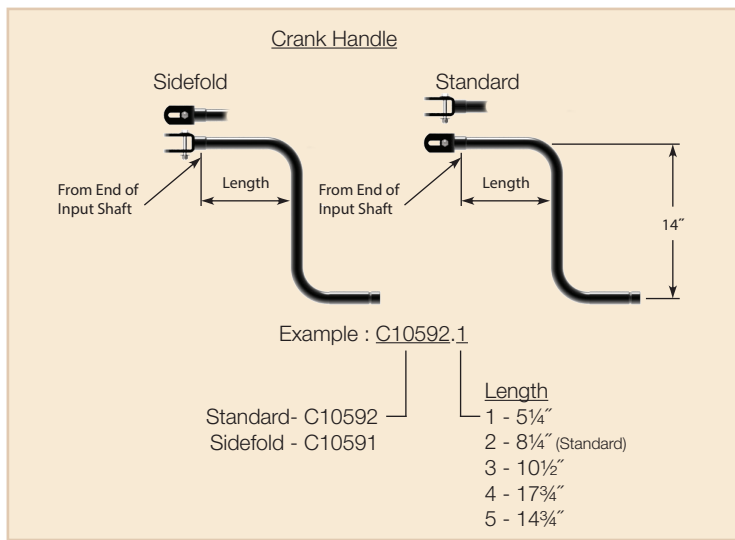
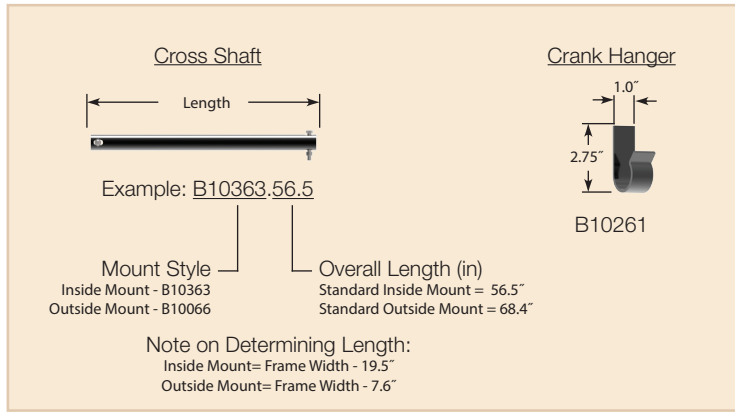
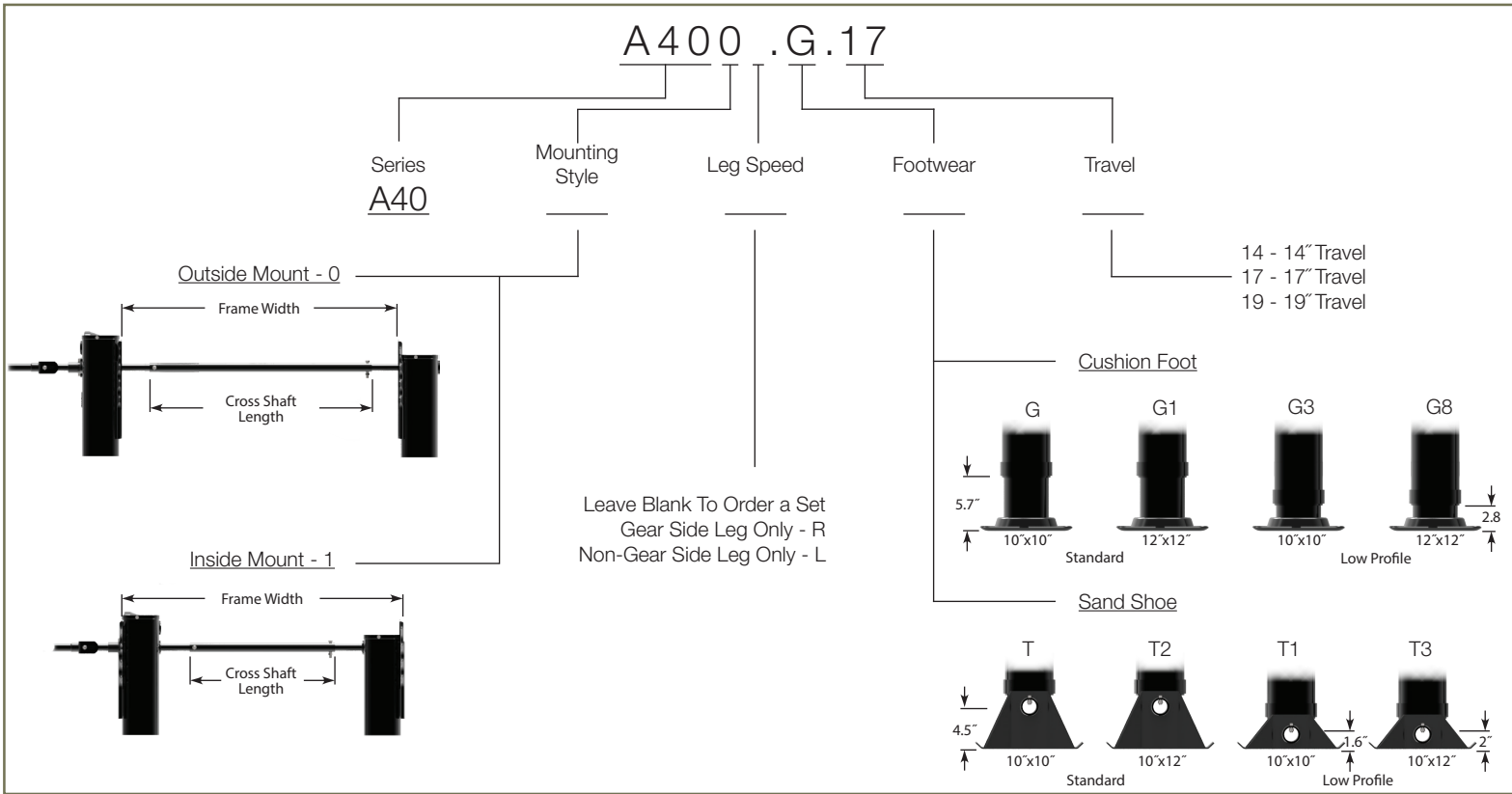
Side Load Capacity\*:  
29,000 per set

\*When properly braced on a trailer.  
\*\*With 100ft-lbs input torque.

Gear Ratio  
Low Gear: 32 Turns = 1" Travel  
High Gear: 3.5 Turns = 1" Travel

JIA401-G3-19	LANDING GEAR SET
JIA401L-G-17	LANDING GEAR, LEG, NON-GEAR
JIA401L-G3-14.08	LANDING GEAR, LEG, NON-GEAR
JIA401L-G3-17	LANDING GEAR, LEG, NON-GEAR
JIA401L-T1-17	LANDING GEAR, LEG, NON-GEAR
JIA401L-T-17	LANDING GEAR, LEG, NON-GEAR
JIA401L-T-19	LANDING GEAR, LEG, NON-GEAR
JIA401R-G1-17	LANDING GEAR, LEG, GEARSIDE
JIA401R-G-17	LANDING GEAR, LEG, GEARSIDE
JIA401R-G3-14.08	LANDING GEAR, LEG, GEARSIDE
JIA401R-G3-17	LANDING GEAR, LEG, GEARSIDE
JIA401R-G3-17.08	LANDING GEAR, LEG, GEARSIDE
JIA401R-T1-17	LANDING GEAR, LEG, GEARSIDE
JIA401R-T-17	LANDING GEAR, LEG, GEARSIDE
JIA401R-T-19	LANDING GEAR, LEG, GEARSIDE

# Product Information



D Travel	Shoe Style								C Upper Hsg.
	G, G1		T, T2		T3		T1, G3, G8		
	Ext.	Ret.	Ext.	Ret.	Ext.	Ret.	Ext.	Ret.	
14	42 5/8"	28 5/8"	42 3/4"	28 3/4"	40 1/4"	26 1/4"	39 3/4"	25 3/4"	21 15/16"
17	48 5/8"	31 5/8"	48 3/4"	31 3/4"	46 1/4"	29 1/4"	45 3/4"	28 3/4"	24 15/16"
19	52 5/8"	33 5/8"	52 3/4"	33 3/4"	50 1/4"	31 1/4"	49 3/4"	30 3/4"	26 15/16"





# A440 Magnum Series Landing Gear



## Design Features

- Elevating screw is fully encased in a grease tube.
- Legs are completely sealed and all shafts have seals to keep moisture out.
- Double "D" style shaft allows crank force to go directly into the gearbox, not torquing the bolt.
- Gearbox is completely filled with low temperature grease.
- Austempered ductile iron gears will not wear out.
- 10 bolt mounting pattern adds mounting rigidity.
- Reinforcing strap at the bottom of the upper housing for added strength.

## Capacities & Ratings

Maximum Static Load Rating\*  
170,000 lbs

Rated Lift Capacity\*\*:  
62,500 lbs

Side Load Capacity\*:  
33,000 lbs per set

\*When properly braced on a trailer.

\*\*With 100ft-lbs input torque.

### Gear Ratio

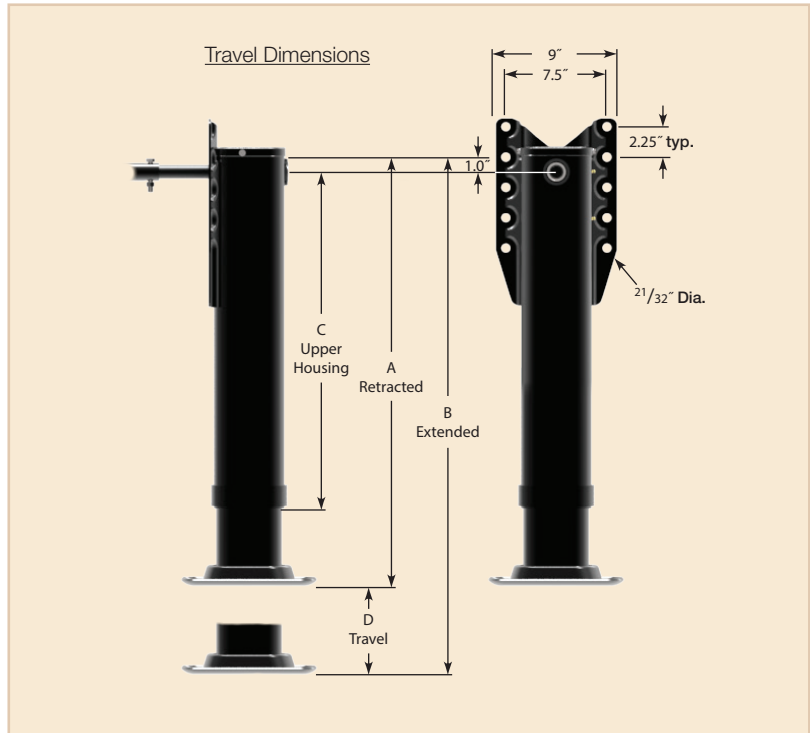
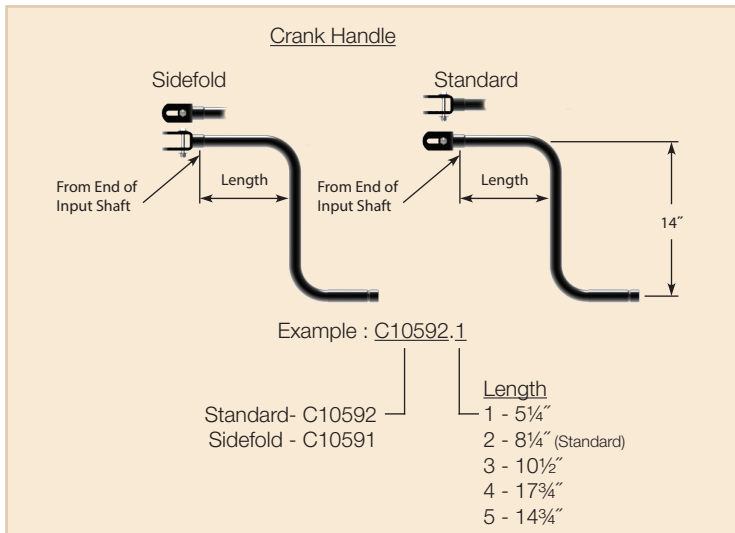
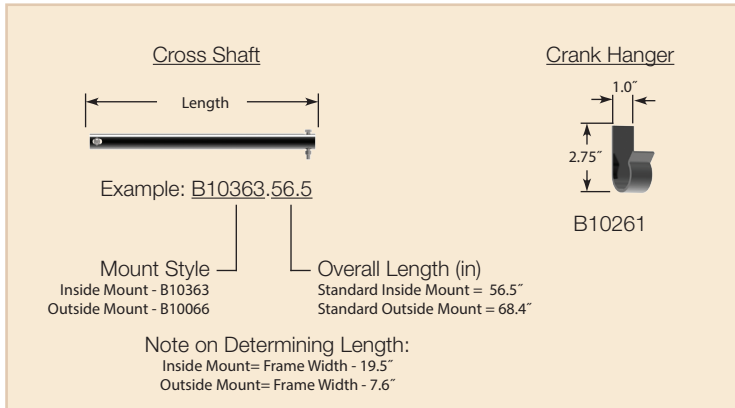
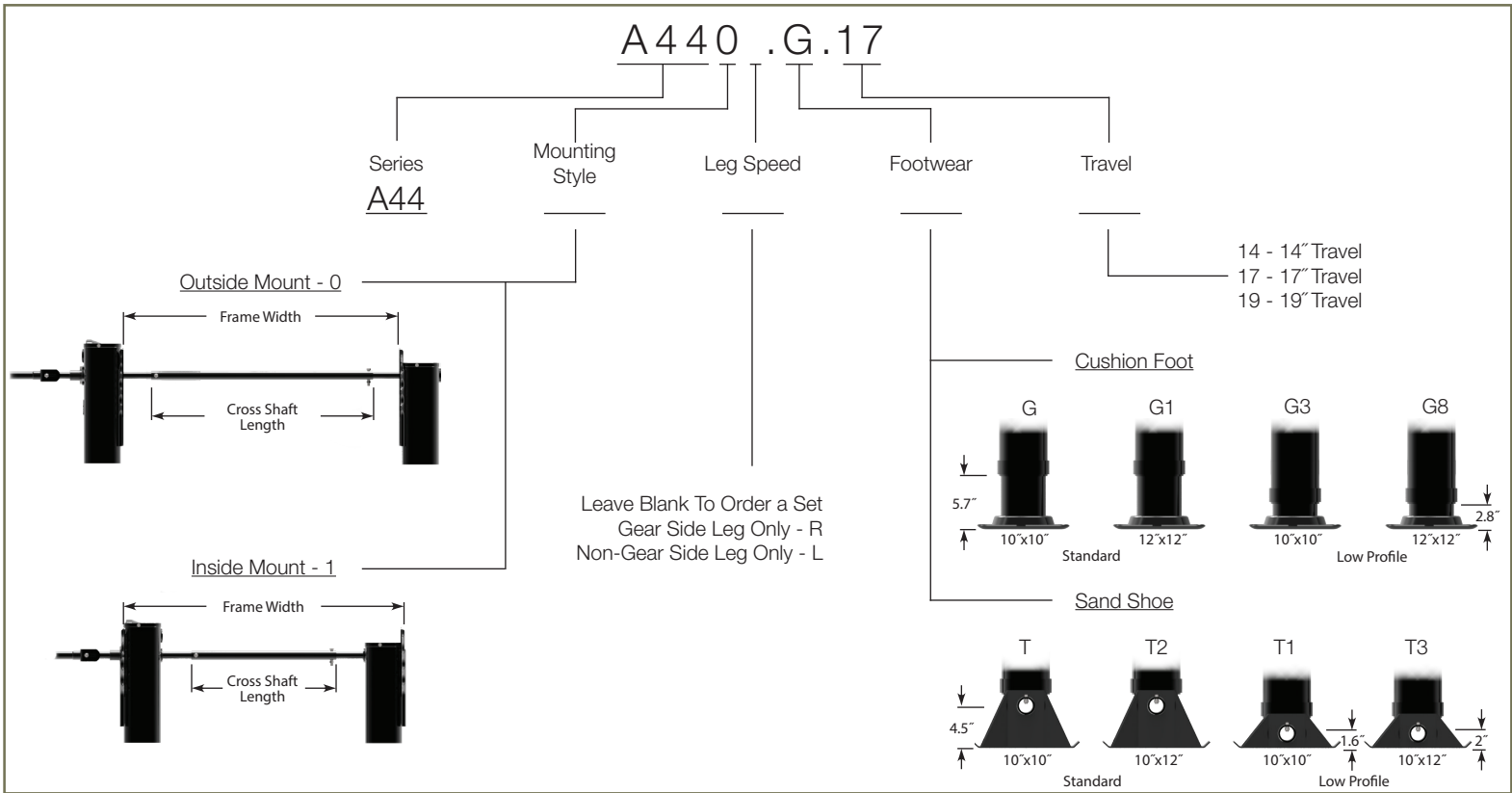
Low Gear: 32 Turns = 1" Travel

High Gear: 3.5 Turns = 1" Travel

## 5 Years Maintenance Free

JIA440L-G3-17	LANDING GEAR, LEG, NON-GEAR
JIA440L-T-17	LANDING GEAR, LEG, NON-GEAR
JIA440R-G3-17	LANDING GEAR, LEG, GEARSIDE
JIA440R-T-17	LANDING GEAR, LEG, GEARSIDE
JIA440ULG3-17.36	LANDING GEAR, LEG, NON-GEAR
JIA440URG3-17.36	LANDING GEAR, LEG, GEARSIDE
JIA441L-G-170838	LANDING GEAR, LEG NON-GEAR INSIDE MT
JIA441L-G3-17	LANDING GEAR, LEG, NON-GEAR
JIA441L-G3-19	LANDING GEAR, LEG, NON-GEAR
JIA441L-T13-17	LANDING GEAR, LEG, NON-GEAR
JIA441R-G-170838	LANDING GEAR, LEG, GEARSIDE
JIA441R-G3-17	LANDING GEAR, LEG, GEARSIDE
JIA441R-G3-19	LANDING GEAR, LEG, GEARSIDE
JIA441R-T13-17	LANDING GEAR, LEG, GEARSIDE
JIA451L-G3-17	LANDING GEAR, LEG, NON-GEAR
JIA451R-G3-17	LANDING GEAR, LEG GEARSIDE
JIAX100R-T-17	LANDING GEAR, LEG, GEARSIDE, ALUMINIUM

# Product Information



D Travel	Shoe Style								C Upper Hsg.
	G, G1		T, T2		T3		T1, G3, G8		
	Ext.	Ret.	Ext.	Ret.	Ext.	Ret.	Ext.	Ret.	
14	42 5/8"	28 5/8"	42 3/4"	28 3/4"	40 1/4"	26 1/4"	39 3/4"	25 3/4"	21 15/16"
17	48 5/8"	31 5/8"	48 3/4"	31 3/4"	46 1/4"	29 1/4"	45 3/4"	28 3/4"	24 15/16"
19	52 5/8"	33 5/8"	52 3/4"	33 3/4"	50 1/4"	31 1/4"	49 3/4"	30 3/4"	26 15/16"

## A450 Magnum Series Landing Gear



### Design Features

- Increased lift nut hardness to increase strength and reduce wear.
- Elevating screw is fully encased in a rechargeable powder coated grease tube.
- Legs are completely sealed and all shafts have seals to keep moisture out.
- Double "D" style shaft allows crank force to go directly into the gearbox, not torquing the bolt.
- Gearbox is completely filled with low temperature grease.
- Hole added to lower leg to access grease fitting in rechargeable grease tube.
- Replaceable cushion foot for easy repair when worn or damaged.
- Austempered ductile iron gears will not wear out.

### Capacities & Ratings

Maximum Static Load Rating\*  
170,000 lbs

Rated Lift Capacity\*\*:  
62,500

Side Load Capacity\*:  
33,000 per set

\*When properly braced on a trailer.

\*\*With 100ft-lbs input torque.

#### Gear Ratio

Low Gear: 32 Turns = 1" Travel

High Gear: 3.5 Turns = 1" Travel

JIA451L-G3-17  
JIA451R-G3-17

LANDING GEAR, LEG, NON-GEAR  
LANDING GEAR, LEG GEARSIDE

**10 Year Extended Warranty**  
**5 Years Maintenance Free**

# Product Information

## A450 .G.17

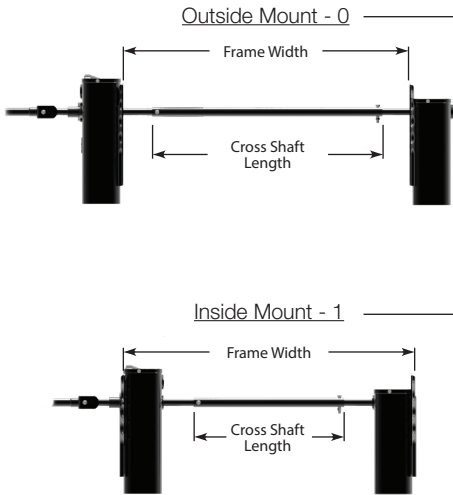
Series  
**A45**

Mounting  
Style

Leg Speed

Footwear

Travel



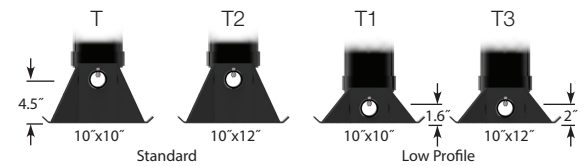
Leave Blank To Order a Set  
Gear Side Leg Only - R  
Non-Gear Side Leg Only - L

14 - 14" Travel  
17 - 17" Travel  
19 - 19" Travel

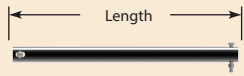
Cushion Foot



Sand Shoe



### Cross Shaft



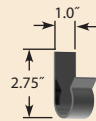
Example: B10363.56.5

Mount Style  
Inside Mount - B10363  
Outside Mount - B10066

Overall Length (in)  
Standard Inside Mount = 56.5"  
Standard Outside Mount = 68.4"

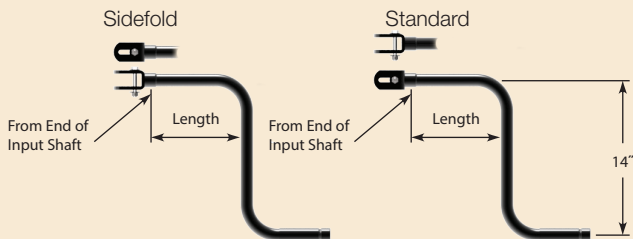
Note on Determining Length:  
Inside Mount = Frame Width - 19.5"  
Outside Mount = Frame Width - 7.6"

### Crank Hanger



B10261

### Crank Handle

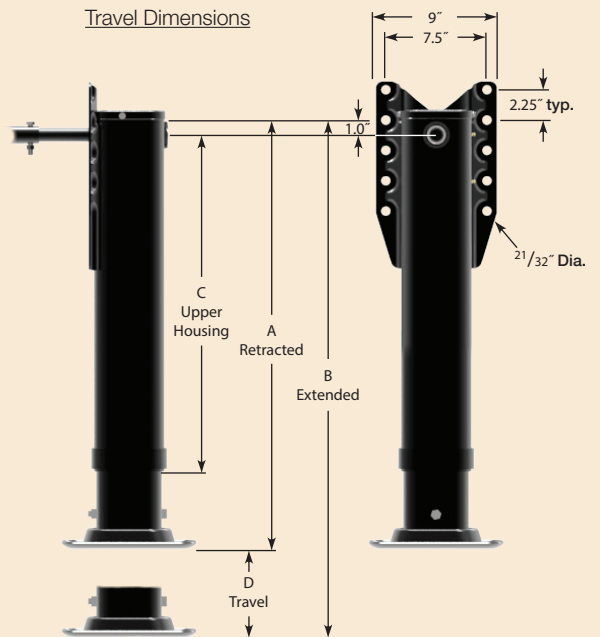


Example : C10592.1

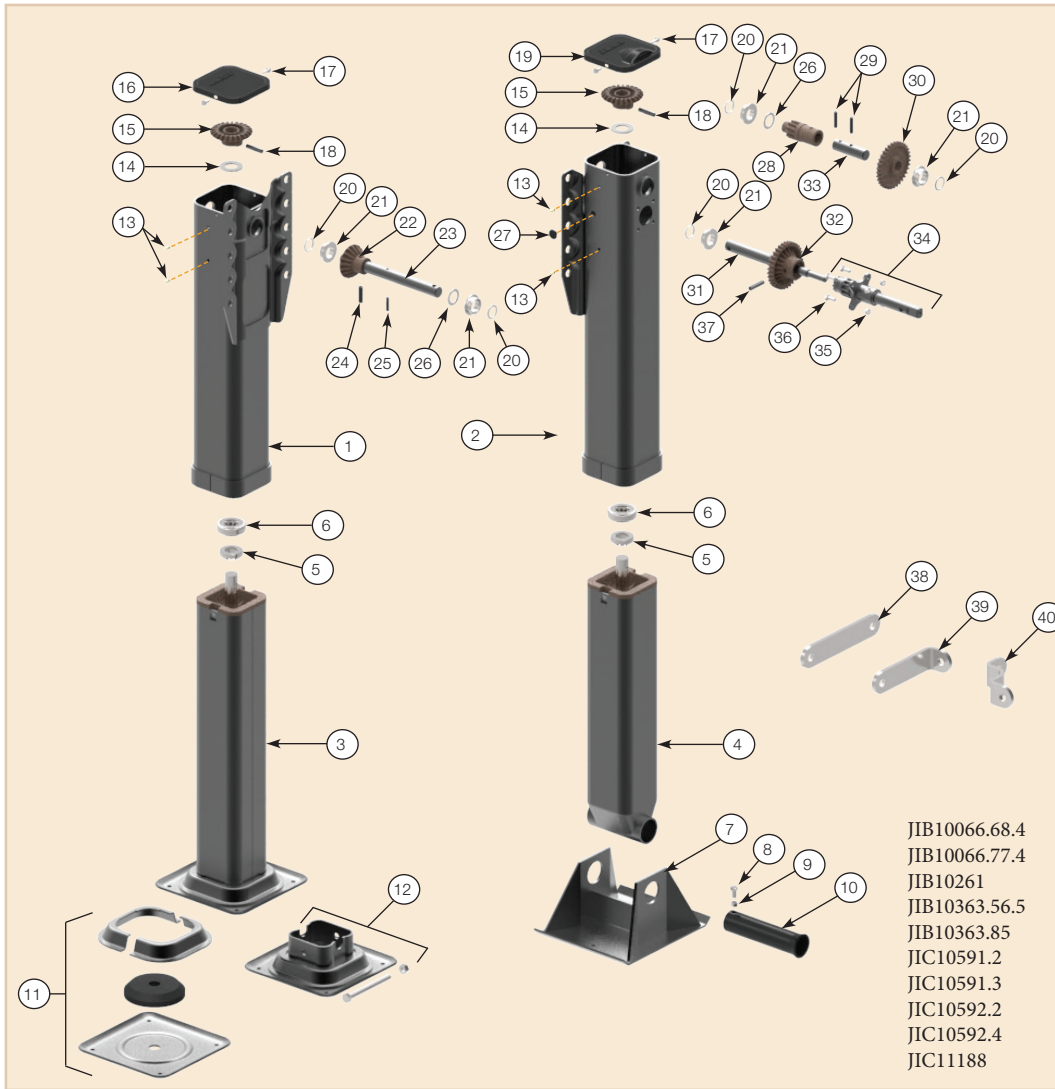
Standard - C10592  
Sidefold - C10591

Length  
1 - 5 1/4"  
2 - 8 1/4" (Standard)  
3 - 10 1/2"  
4 - 17 3/4"  
5 - 14 3/4"

### Travel Dimensions



D Travel	Shoe Style								C Upper Hsg.
	G, G1		T, T2		T3		T1, G3, G8		
	Ext.	Ret.	Ext.	Ret.	Ext.	Ret.	Ext.	Ret.	
14	42 5/8"	28 5/8"	42 3/4"	28 3/4"	40 1/4"	26 1/4"	39 3/4"	25 3/4"	21 15/16"
17	48 5/8"	31 5/8"	48 3/4"	31 3/4"	46 1/4"	29 1/4"	45 3/4"	28 3/4"	24 15/16"
19	52 5/8"	33 5/8"	52 3/4"	33 3/4"	50 1/4"	31 1/4"	49 3/4"	30 3/4"	26 15/16"



JIB10066.68.4  
 JIB10066.77.4  
 JIB10261  
 JIB10363.56.5  
 JIB10363.85  
 JIC10591.2  
 JIC10591.3  
 JIC10592.2  
 JIC10592.4  
 JIC11188

CROSS SHAFT, 68.4in  
 CROSS SHAFT, 77.4in  
 CRANK HANDLE HANGER  
 CROSS SHAFT, 56.5in  
 CROSS SHAFT, 85in  
 CRANK HANDLE, HORIZONTAL  
 CRANK HANDLE, HORIZONTAL, 12.57in  
 CRANK HANDLE, VERTICAL  
 CRANK HANDLE, VERTICAL  
 REMOVABLE CUSHION FOOT, 10x10in

Item	Part Number	Description
1	Please Call Sales	Single Speed Upper Weldment
2	Please Call Sales	Two Speed Upper Weldment
3	Please Call Sales	Lower Leg Assembly for Cushion Foot
4	Please Call Sales	Lower Leg Assembly for Sand Shoe
5	JIA10101	Collar
6	Please Call Sales	Thrust Bearing
7	Please Call Sales	Sand Shoe
8	JIA10037.3	Hex Head Cap Screw
9	JIA10038.7	Lock Nut
10	JIB10036	Axle
11	JIC10717	10"x10" Weld On Cushion Foot Replacement Kit
11	JIC10989	12"x12" Weld On Cushion Foot Replacement Kit
12	J112497	10"x10" Bolt On Cushion Foot Replacement Kit
12	J112496	12"x12" Bolt On Cushion Foot Replacement Kit
13	JIA10040	Grease Fitting
14	JIA10102	Thrust Washer
15	JIC10155	Bevel Gear
16	JIC10259	Single Speed Cover
17	JIA10059.1	Cover Screw
18	JIA10052.3	Grooved Pin
19	JIC10217	Two Speed Cover

Item	Part Number	Description
20	JIA10283	Shaft Seal
21	JIA10255	Shaft Bushing
22	JIC10177	Pinion Gear
23	JIB10130	Single Speed Input Shaft
24	JIA10054.3	Roll Pin
25	JIA10054.6	Roll Pin
26	JIA10218	Washer
27	JIA10500	Button Plug
28	JIC10078	Output Spur Gear
29	JIA10260.1	Spiral Pin
30	JIC10085	Spur Idler Gear
31	JIB10236	Two Speed Output Shaft
32	JIC10234	Output Cluster Gear
33	JIA10212	Two Speed Idler Shaft
34	JIB10285	Shifter Assembly
35	JIA10038.6	Lock Nut
36	JIA10230	Shifter Housing Bolt
37	JIA10054.7	Roll Pin
38	JIC10262	Brace Lug - Flat
39	JIC10263	Brace Lug - 90°
40	JIC10108	Brace Lug - "W" (Standard)

# SAF-Holland

## ORIGINAL PARTS™



**Classic**

**Atlas 55**

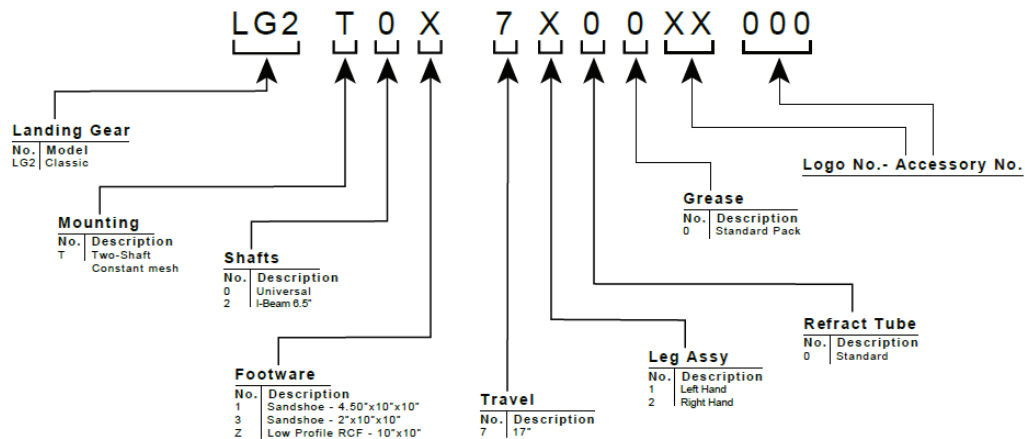
**Atlas 65**

**Mark V**

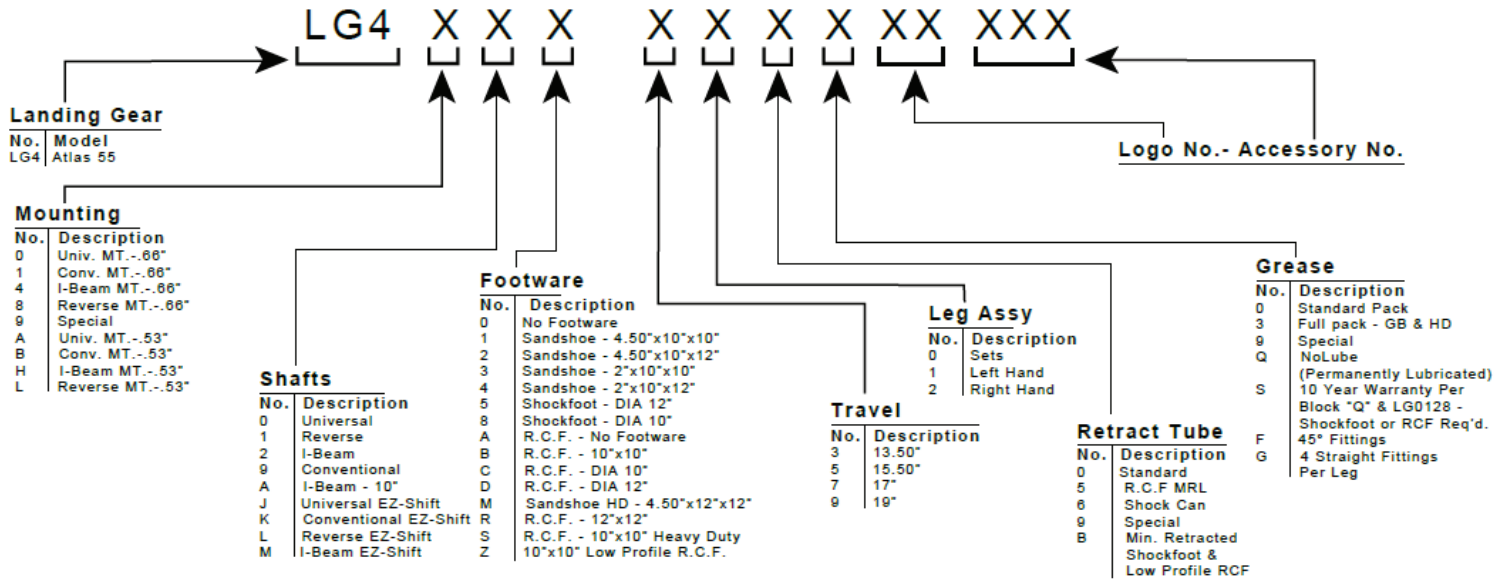


Capacity	Classic	Atlas 55	Atlas 65	Mark V
Lift*	39,000 lbs.	55,000 lbs.	65,000 lbs.	62,500 lbs.
Load	140,000 lbs.	170,000 lbs.	170,000 lbs.	200,000 lbs.
Side Load	27,000 lbs.	30,000 lbs.	34,000 lbs.	32,000 lbs. **
<b>Gearing (Turns per Inch)</b>				
High Gear	3.2	4.5	4.5	2.5
Low Gear	19	38.7	38.7	33.8
*100ft./lbs. Input Torque (lbs)				
**Mark V Heavy-Duty 46,000 lbs.				

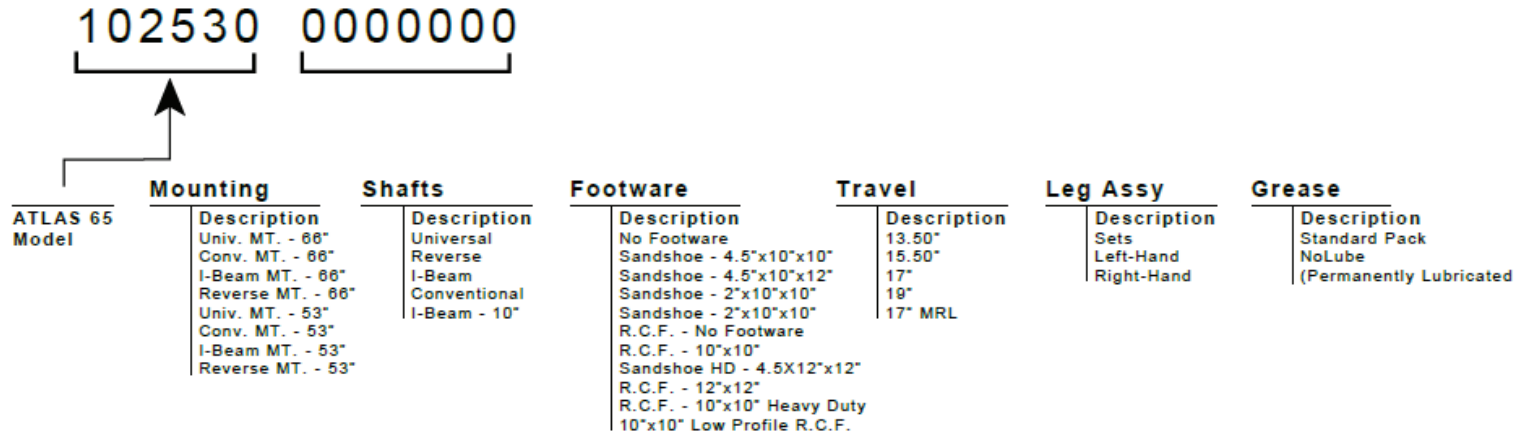
### Classic Ordering Guide



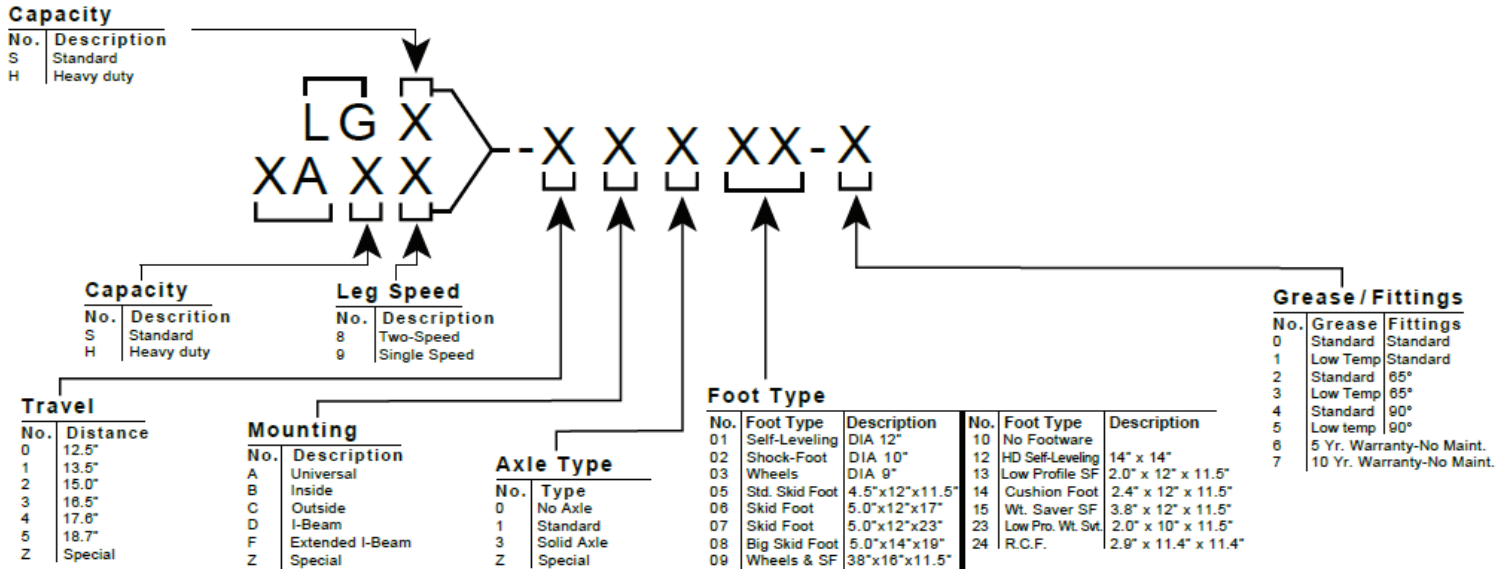
## Atlas 55 Ordering Guide



## Atlas 65 Ordering Guide



## Mark V Ordering Guide



Style	Stoughton Item #	Vendor Item #	Item Description
Classic	KW18-30-444-102	LG2T01-710000000	STANDARD, 17IN. TRAVEL, SS, NON-GEAR
Classic	KW8-30-444-102	LG2T01-720000000	STANDARD, 17IN. TRAVEL, SS, GEARSIDE
Classic	KW18-30-400-102	LG2T03-710000000	LOW-PROFILE, 17IN. TRAVEL, SS, NON-GEAR
Classic	KW8-30-400-102	LG2T03-720000000	LOW-PROFILE, 17IN. TRAVEL, SS, GEARSIDE
ATLAS 55	BKLG4001-71	LG4001-710000000	17IN. TRAVEL, STANDARD, SS, NON-GEAR
ATLAS 55	BKLG4001-72	LG4001-720000000	17IN. TRAVEL, STANDARD, SS, GEARSIDE
ATLAS 55	BKLG4001-91	LG4001-910000000	19IN. TRAVEL, STANDARD, SS, NON-GEAR
ATLAS 55	BKLG4001-92	LG4001-920000000	19IN. TRAVEL, STANDARD, SS, GEARSIDE
ATLAS 55	SAF-LG4003-710000000	LG4003-710000000	17IN. TRAVEL, LOW-PROFILE, SS, NON-GEAR
ATLAS 55	SAF-LG4003-720000000	LG4003-720000000	17IN. TRAVEL, LOW-PROFILE, SS, GEARSIDE
ATLAS 55	BKLG4003-91	LG4003-910000000	19IN. TRAVEL, LOW-PROFILE, SS, NON-GEAR
ATLAS 55	BKLG4003-92	LG4003-920000000	19IN. TRAVEL, LOW-PROFILE, SS, GEARSIDE
ATLAS 55	BKLG400B-71	LG400B-710000000	17IN. TRAVEL, REMOVABLE CUSHION FOOT, SS, NON-GEAR
ATLAS 55	BKLG400B-72	LG400B-720000000	17IN. TRAVEL, REMOVABLE CUSHION FOOT, SS, GEARSIDE
ATLAS 55	BKLG400B-91	LG400B-910000000	19IN. TRAVEL, REMOVABLE CUSHION FOOT, SS, NON-GEAR
ATLAS 55	BKLG400B-92	LG400B-920000000	19IN. TRAVEL, REMOVABLE CUSHION FOOT, SS, GEARSIDE
Atlas 65	BKLG5001-72	1025300006450	STANDARD, 17IN. TRAVEL, SS, GEARSIDE
Atlas 65	BKLG5001-71	1025300006460	STANDARD, 17IN. TRAVEL, SS, NON-GEAR
Atlas 65	SAF-1025300006610	1025300006610	LOW-PROFILE, 17IN. TRAVEL, SS, GEARSIDE
Atlas 65	SAF-1025300006620	1025300006620	LOW-PROFILE, 17IN. TRAVEL, SS, NON-GEAR
Mark V	HHLGS-5A105	LGS-5A105	STANDARD, SS SET, 18.7IN. TRAVEL
Mark V	HHXA-S8-3A001	XA-S8-3A001	SELF-LEVELER, SS, GEARSIDE, 16.5IN TRAVEL- LEG ONLY
Mark V	HHXA-S8-5A001	XA-S8-5A001	SELF-LEVELER, SS, GEARSIDE, 18.7IN. TRAVEL - LEG ONLY
Mark V	HHXA-S8-5A105	XA-S8-5A105	STANDARD, SS, GEARSIDE, 18.7IN TRAVEL - LEG ONLY
Mark V	HHXA-S9-3A001	XA-S9-3A001	SELF-LEVELER, SS, NON-GEAR, 16.5IN TRAVEL - LEG ONLY
Mark V	HHXA-S9-5A001	XA-S9-5A001	SELF-LEVELER, SS, NON-GEAR, 18.7IN TRAVEL - LEG ONLY
Mark V	HHXA-S9-5A105	XA-S9-5A105	STANDARD, SS, NON-GEAR, 18.7IN TRAVEL - LEG ONLY



LANDING GEAR – HARDWARE & BRACING	
HHXA-V-1901-1	AXLE, STD
BKLG0048-01	CUSHION KIT, SQ. RCF, 10x10in
BKLG0050	SHOE ASSY, 10x12x4.5in
BKLG0094	CROSS SHAFT, 68in ONE END DRILLED
BKLG0094-6800	CROSS SHAFT, 68in
BKLG0264	COVER, 50,000
BKLG0663	GEARBOX ASSY, OUTSIDE HALF
BKLG2462	SHAFT EXTENSION
BKLG2790	LANDING GEAR INSTALLATION KIT
BKLG0083-04	CRANK HANDLE, 12in
BKXB-SP0011-44	HEX NUT, 3/4-16, GR8, U-BOLT
BKXB-SP0012-36	FLANGE NUT, 7/8-14
HHRK-V-06388	MARK V COMPONENT KIT
HHXA-LG0880	COVER, UPPER LEG
HHXA-V-1914	CRANK HANDLE CLIP
HHXA-V-1938	BRACE EAR
HHXA-V-1996-01	FOOT, SELF LEVELING 12.0IN DIA
HHXA-V-90-0	CRANK HANDLE, 9.18in
HHXA-V-90-10	CRANK HANDLE, 17in

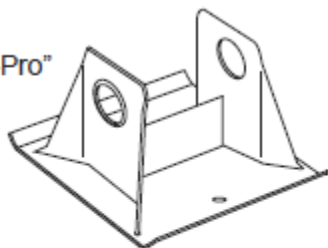
LANDING GEAR – HARDWARE & BRACING	
HHXA-V-90-2	CRANK HANDLE, 11.62in
HHXA-V-90-4	CRANK HANDLE, 10.62in
HHXA-V-90-5	CRANK HANDLE, 14.5in
KW112003	SPEED CRANK HANDLE
KW6884-FW	CROSS SHAFT, 67in
KW716059	REMOVABLE CUSHION FOOT KIT
KW741158	GEARBOX COVER ASSY, 2-BUSHINGS
KW8984	COVER
KWJ-27BX-3	CRANK HANDLE
KWJ-4890	BRACE EAR, SQUARE LEG
SAF-112005	SPEED CRANK 20IN VERTICAL
SAF-50618041	BRACE LUG
SAF-50618042	BRACE LUG
SAF-50618043	BRACE LUG
SAF-50644000	CRANK HANDLE, UNIVERSAL
SAF-742119	GEARBOX ASSEMBLY
SAF-743083	GEARBOX ASSEMBLY - WILSON
SAF-XA-57513	CYLINDER ASSY, 3INX10-1/2IN
04-00052-000-00	LANDING GEAR, BOLT KIT 10 NUTS/BOLTS

Check out [www.stoughtonparts.com](http://www.stoughtonparts.com) for our full offering!



**ALL MAKES LANDING GEAR ACCESSORIES**

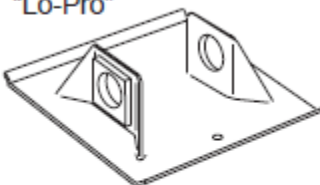
"Hi-Pro"



**STANDARD DESIGN**

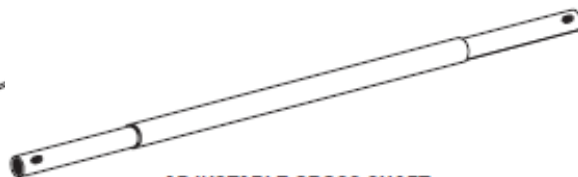
Stoughton Number	Size
FE013-01192	10" x 10"
P05-300	10" x 10"

"Lo-Pro"



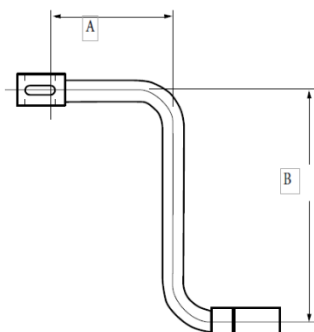
**LOW MOUNT STYLE**

Stoughton Number	Size
FE013-00073	10" x 10"
P05-310	10" x 10"



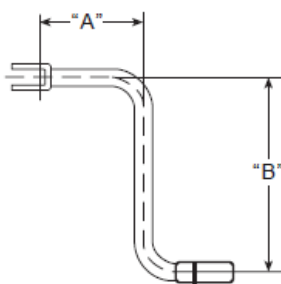
**ADJUSTABLE CROSS SHAFT**

Stoughton Number	Adjustable Length
FE012-00003	53" to 71"
TCS-2947	29" to 47" Flexible
TCS-4479	44" to 79" Flexible



**VERTICAL FOLDING CRANKS**

Stoughton Number	"A"	"B"
FE013-00436	7 1/2"	13 1/2"
P03-109PR-V	10"	
P03-211-H	11"	
FE013-00437	11 1/2"	13 1/2"
P03-215V	16 1/4"	13 1/2"
FE013-00439	16 1/4"	
P03-221V	20"	13 1/2"
FE013-00440	21"	
PRO-1003-1367	21"	



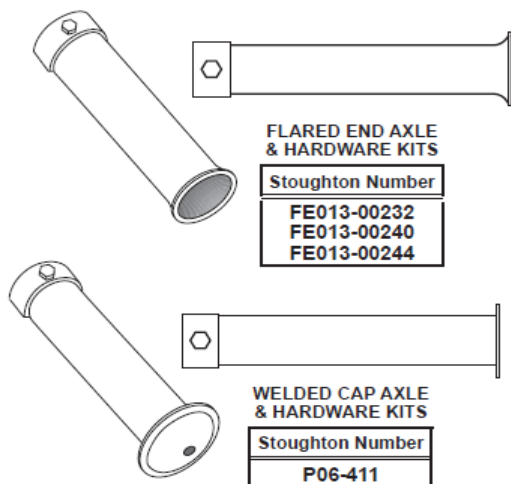
**HORIZONTAL FOLDING CRANKS**

Stoughton Number	"A"	"B"
FE013-00426	7 1/2"	13 1/2"
FE013-00427	11 1/2"	13 1/2"
P03-215-H	16 1/4"	13 1/2"
P03-221H	20"	13 1/2"



**TWO-PIECE ADJUSTABLE BRACE**

Stoughton Number	Adjustable Length
FE013-00991	26" to 41" HD
FE013-00992	42" x 57" HD
FE013-00993	58" to 72" HD
P04-10-26-41	26" to 41"
P04-10-42-57	42" to 57"
P04-10-56-72	58" to 72"
P04-40-26-41	26" to 41" HD

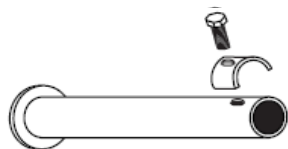


**FLARED END AXLE & HARDWARE KITS**

Stoughton Number
FE013-00232
FE013-00240
FE013-00244

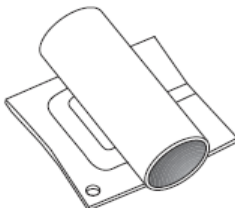
**WELDED CAP AXLE & HARDWARE KITS**

Stoughton Number
P06-411



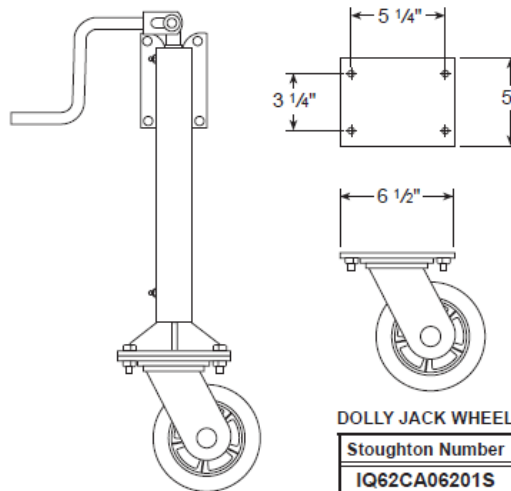
**AXLE ASSEMBLY - SAND SHOE**

Stoughton Number
P06-410



**AXLE HOUSING**

Stoughton Number
P06-345



**DOLLY JACK**

Stoughton Number
HHJS-300-B6S

S = Steel Wheel

**DOLLY JACK WHEEL**

Stoughton Number
IQ62CA06201S

**DOLLY JACK, NO CASTER, 15 IN TRAVEL**  
PR600-15-726

ALL MAKES LANDING GEAR ACCESSORIES		
ITEM	DESCRIPTION	BRAND NAME
GD#09954	MOUNTING BRACKET	
GD#09955	MOUNTING BRACKET	
TM4-A1-224L	LANDING GEAR, MOUNTING BRACKET, RDSB	TRAILMOBILE
TM4-A1-224R	LANDING GEAR, MOUNTING BRACKET, CBSB	
UT-03-0275-0-111	ANGLE PRSG 12GA	
UT-03-1103-0-077	LANDING GEAR, BRACKET, WING-TYPE, RDSB	
UT-03-1103-0-078	LANDING GEAR, BRACKET, WING-TYPE, CBSB	
UT-03-1105-0-002	BRACKET FILLER 5/16 X 103/4in	
UT-03-1105-0-005	BRACKET BRACE PLATE R/H 5/16	
UT-03-1105-0-012	BRACKET BEARING R/S 1/4X17 3/16	
UT-03-1105-0-013	BRACKET BEARING C/S 1/4X17 3/16	
UT-04-1900-0-047	BRACE, CHANNEL LEG 70 3/4 in	

# AT STOUGHTON, IT'S ABOUT MORE THAN JUST PARTS.

Stoughton Parts focuses its efforts on being a premier value-added supplier to the heavy duty aftermarket. We pride ourselves on our industry leading customer service, order fill rate and order fill accuracy.

## YOU CAN EXPECT:

- ▶ Thousands of parts in stock every day
- ▶ Not only top quality Stoughton parts but competitive make/model parts
- ▶ Personalized service
- ▶ Experienced and knowledgeable technical support
- ▶ Online ordering, tracking and invoice access capabilities
- ▶ Weekly delivery routes to minimize freight costs along with daily parcel & TL shipping

1112 Veterans Rd. Stoughton, WI 53589 | Phone 608.873.2900 | Fax 608.873.2870  
[www.stoughtonparts.com](http://www.stoughtonparts.com)



# AT STOUGHTON, IT'S ABOUT MORE THAN JUST PARTS.

Stoughton Parts focuses its efforts on being a premier value-added supplier to the heavy duty aftermarket. We pride ourselves on our industry leading customer service, order fill rate and order fill accuracy.

## YOU CAN EXPECT:

- ▶ Thousands of parts in stock every day
- ▶ Not only top quality Stoughton parts but competitive make/model parts
- ▶ Personalized service
- ▶ Experienced and knowledgeable technical support
- ▶ Online ordering, tracking and invoice access capabilities
- ▶ Weekly delivery routes to minimize freight costs along with daily parcel & LTL shipping

**PRO-SELECT**

**SAF** *Holland*  
ORIGINAL PARTS™

**SAF** *Holland* **NEWAY**

**JUST**